
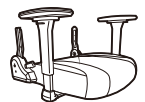

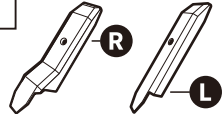
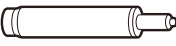

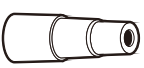
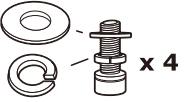
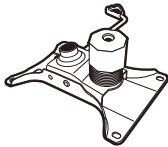




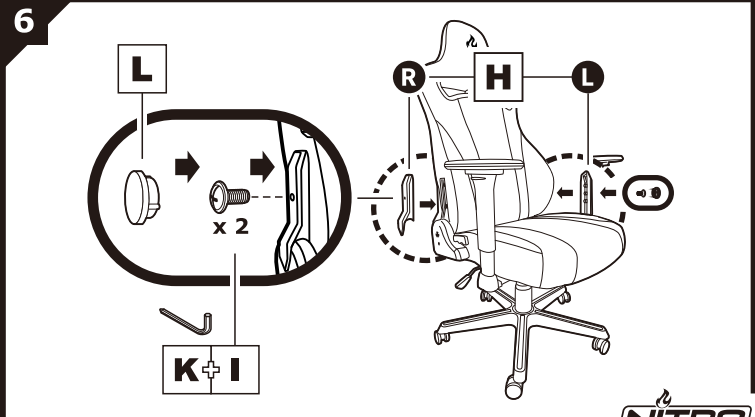
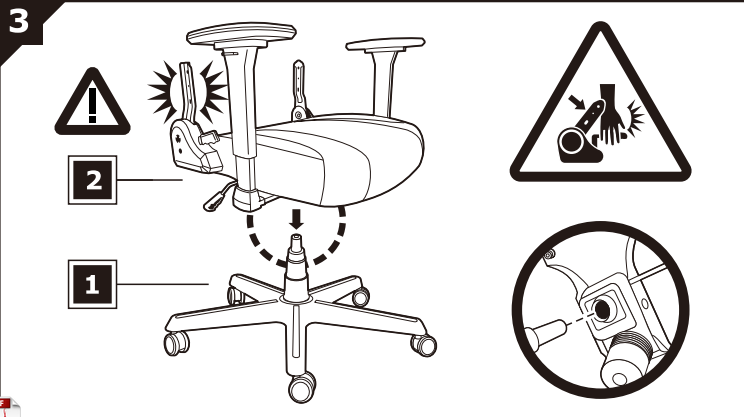
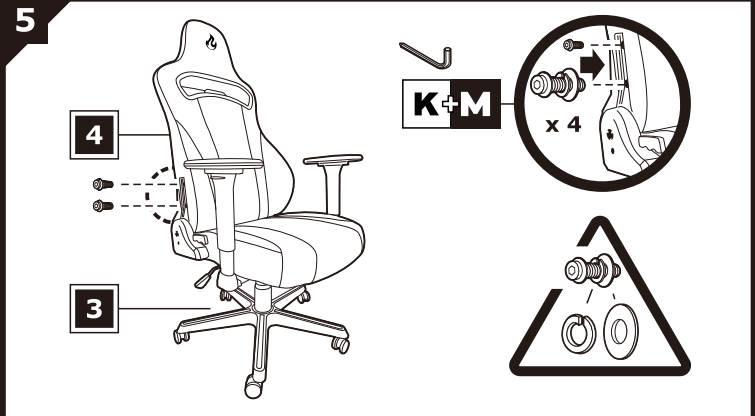
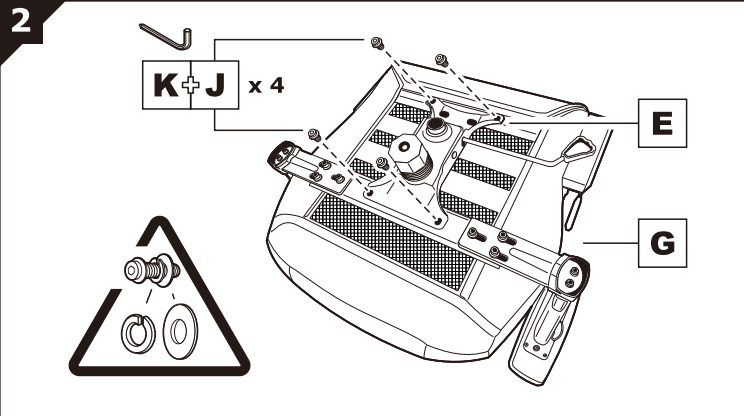
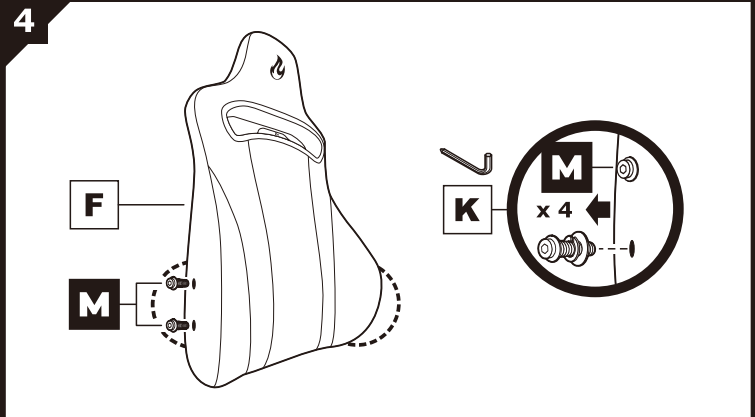
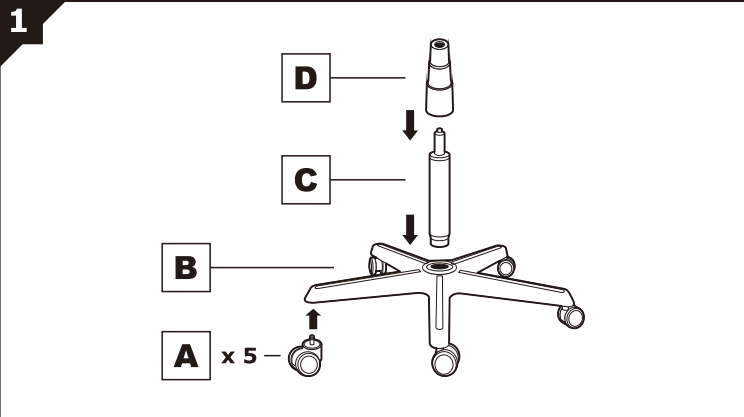




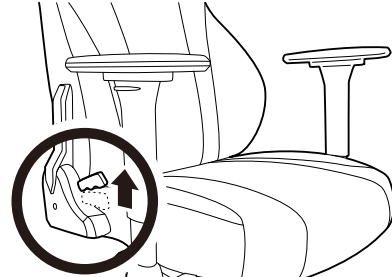
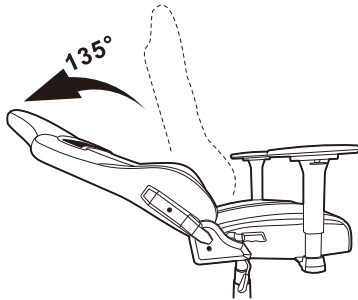
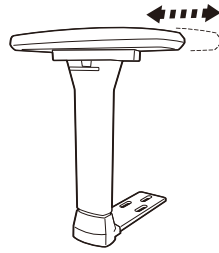
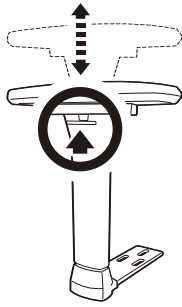
NITRO
CONCEPTS

E250 GAMING CHAIR

A	 x 5	G	
B		H	
C		I	 x 2
D		J	 x 4
E		K	
F		L	 x 2
M			



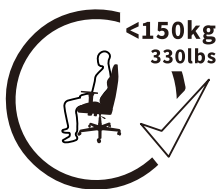
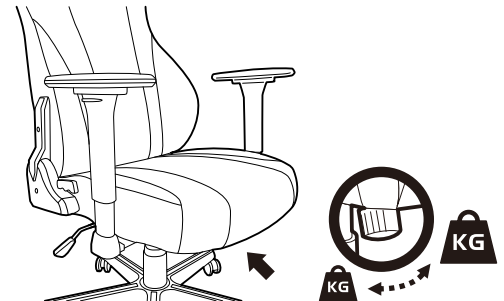
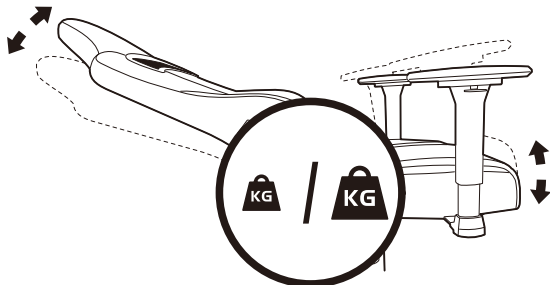
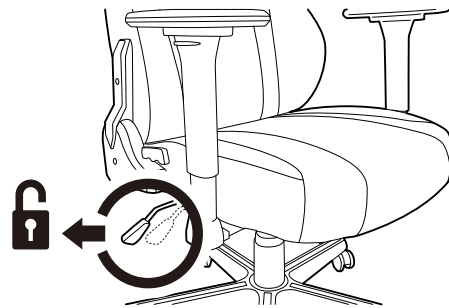
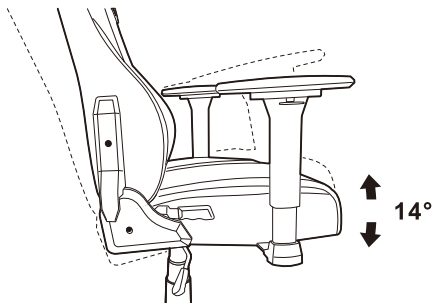
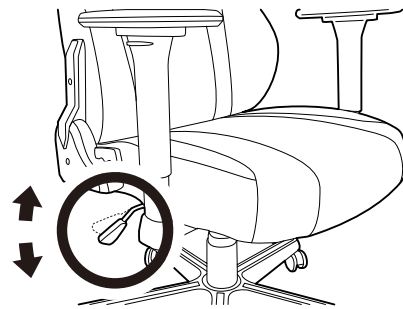
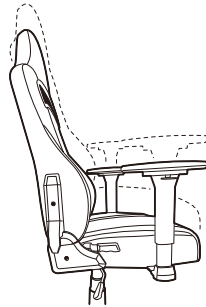
Usage Information / Nutzungsinformationen / Gebruiksinformatie



53.0cm
20.87inch



43.0cm
16.93inch



info@nitro-concepts.com

Pro Gamersware GmbH
Gaussstr. 1
10589 Berlin
GERMANY



www.nitro-concepts.com

